

Customer

Boat model

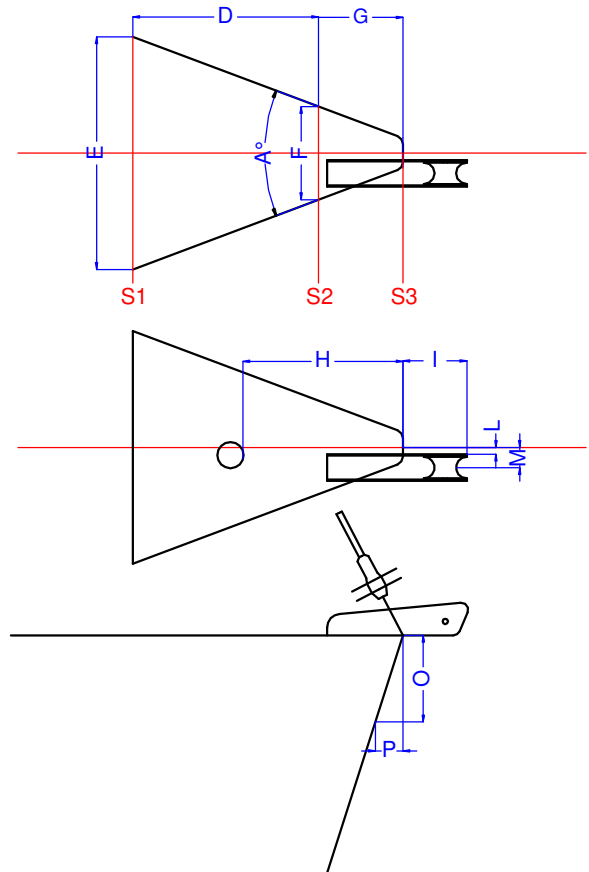
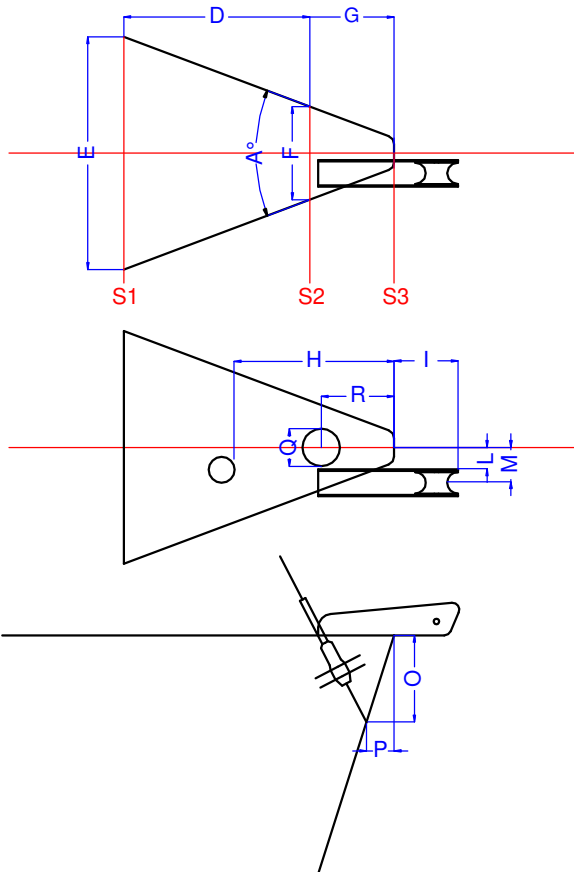
Year

Desired projection

UniBow model

Through deck Furler

Standard Furler



Angle formed by the bow	A°
Distance between sections S1 and S2	D
Section width S1	E
Section width S2	F
Distance between S2 and extreme bow	G
Distance of the windlass	H
Anchor bow roller protrusion	I
Bow roller distance from the central axis	L
Distance of the chain anchor from the central axis	M
Distance vertical forestay attack	O
Distance horizontal forestay attack	P
Hole diameter Furler	Q
Distance Hole Furler from the bow	R

Anchor model		
Anchor weight		
Anchor side	DX	SX

Note

Contact technical department: Gold Service SAS via Bagnolo 43 48125 Casemurate Ravenna Italia
 Mail - info@goldservicerigging.it