

Customer

Boat model

Year

Desired projection

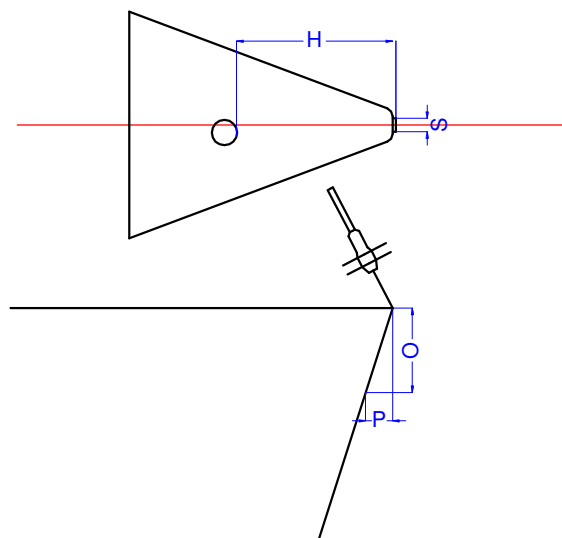
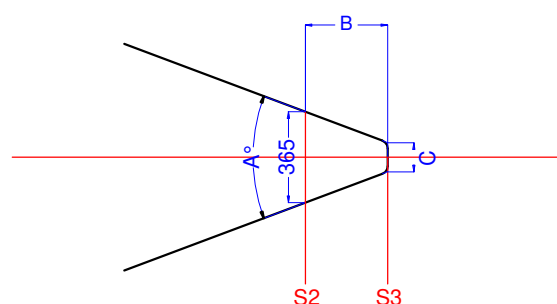
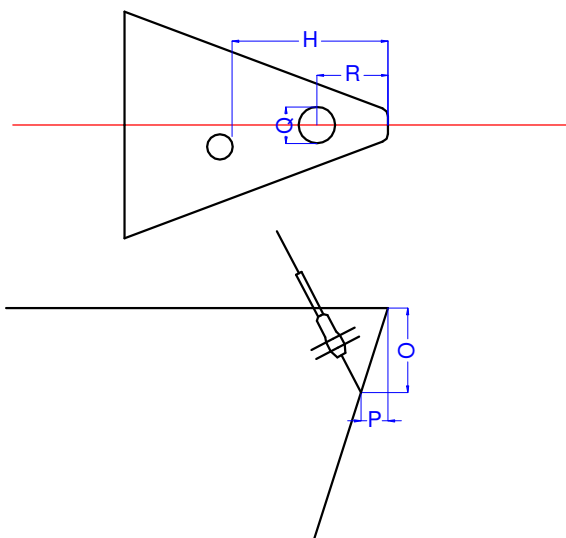
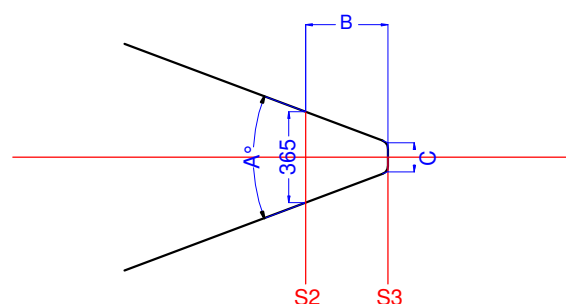
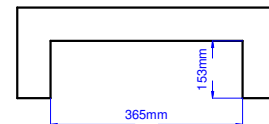
UniBow model

Through deck Furler

Standard Furler

ATTENTION section S2 must be detected where the width is 365mm

To determine the position of S2, create a stiff cardboard or plywood template as figure



Angle formed by the bow	A°
Distance between S2 and the bow of the hull	B
bow width	C
width of the Chain Plate	S
Distance of the windlass	H
Distance vertical forestay attack	O
Distance horizontal forestay attack	P
Hole diameter Furler	Q
Distance Hole Furler from the bow	R

Anchor model	
Anchor weight	
Anchor side	DX <input type="checkbox"/> SX <input type="checkbox"/>

Note

Contatto Ufficio tecnico:

Gold Service SAS via Bagnolo 43 48125 Casemurrate Ravenna Italia

Tel. 0544-554341 Cell. 338 6305338 Mail info@goldservicerigging.it